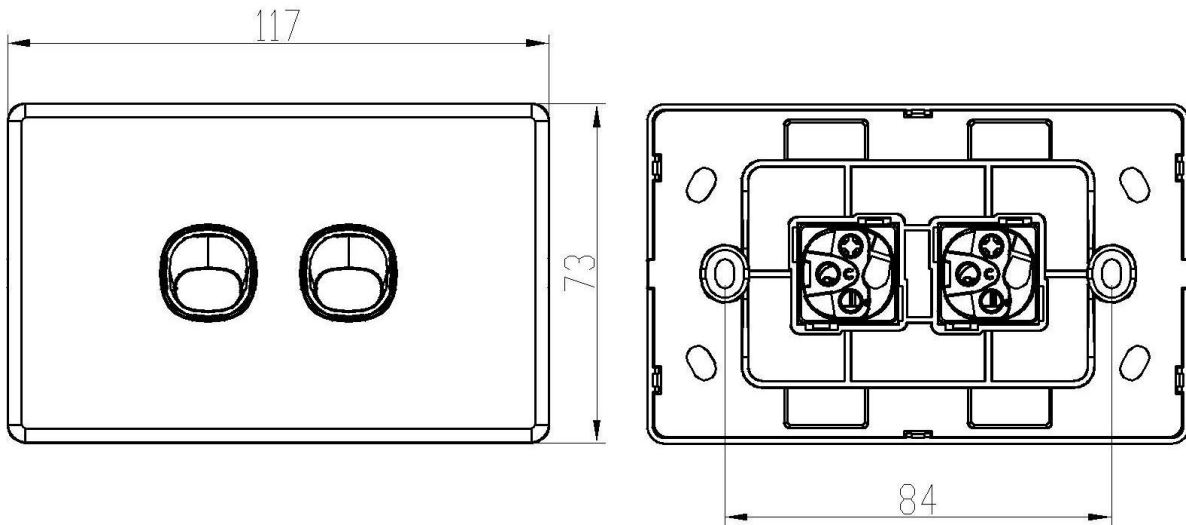
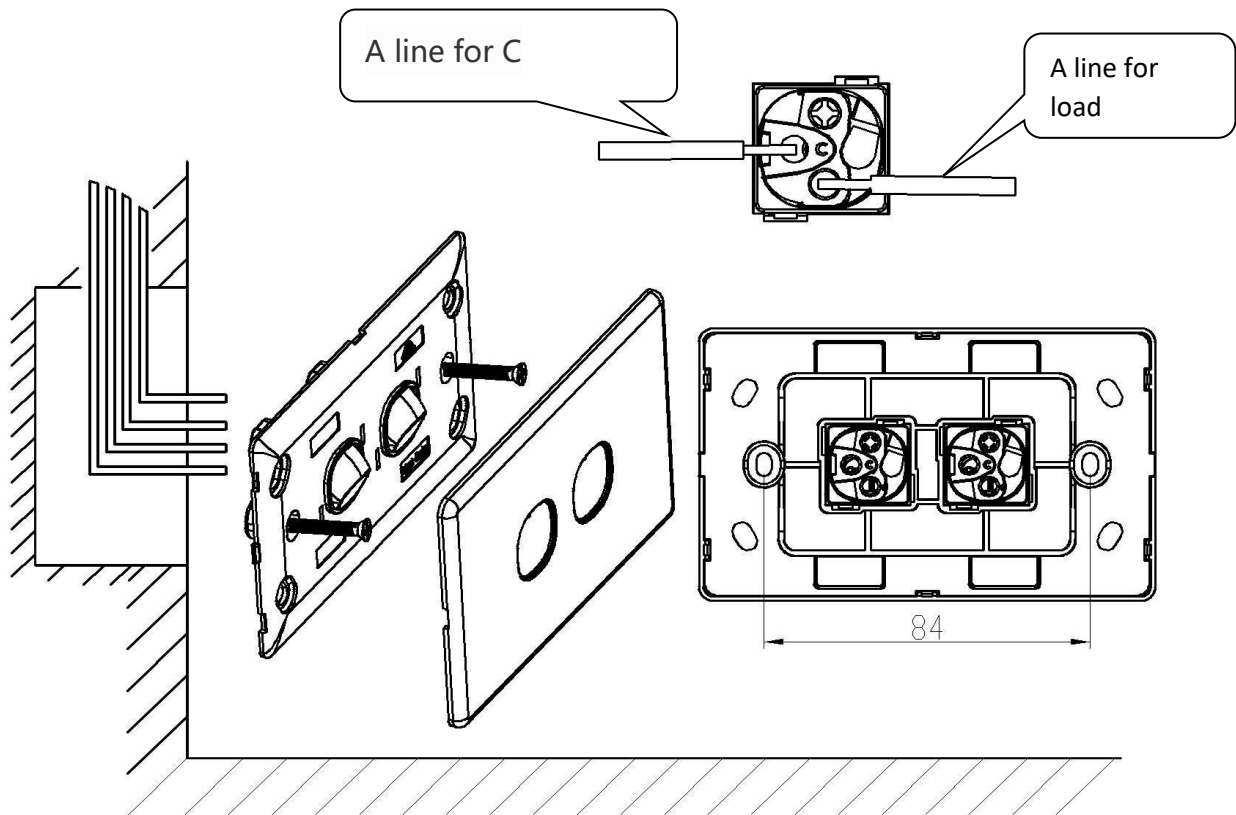


PRODUCT / RANGE:	4Cabling Elegant Series Switches
Switches	Size : 117 x 73mm Amp : 16A Hole size : 84mm Material : PC & copper



ASSEMBLY STEPS



Wiring:

1. Connect the A line to the C marking. The other side is for A line match loading.
2. Wire the other switch mechanisms as per step 1.
3. Screw on the terminal tightly.
4. Double-check the switch terminal is well connected and secured.

Assembly:

1. Remove the plate, then secure two screws and screw socket on the flush box thread, as shown in the photo.
2. Secure the plate tightly.

CLEANING GUIDELINES

- Do not use cleaning sprays or harsh chemical cleaners on electrical switches or power points, as this can break down the plastic. To clean, wipe down with a damp or dry cloth.
- All switches should be turned off before cleaning.
- Avoid using an abrasive cloth, as they may scratch the plastic.
- Do not immerse the rigid plate with the switch mechanism, or the plug point, in water.
- Please note that the only washable part is the cover plate. However, do not wash the cover plate in water over 60°C.

Disclaimers:

- This product is only suitable for general purpose applications.
- This product must be installed by a licensed electrician.
- This product is for indoor use only.
- Avoid direct product contact with corrosive liquids and gases, such as alkaline, acid, and paint, as these will cause damage to the product.
- Do not install this product in areas exposed to constant vibration, temperature fluctuations, or areas of high humidity.
- This product cannot be repaired; do not attempt to repair this product. If the product is faulty, it should be disposed of safely.
- This product should not be disposed of with household waste. Please recycle where facilities exist. Check with your local authority or retailer for recycling advice.
- This product is designed to operate in ambient temperatures of 5°C to 25°C, occasionally reaching up to 40°C.
- The material of this product may vary in colour from batch to batch. Colour matching from one batch to another cannot be guaranteed.
- Electrical installations periodically receive transient over voltages; this product has been designed to minimise the effect of such voltages on the connected equipment. However, please note that this product may not give full protection for extreme overvoltage transients, such as those resulting from a close lightning strike.
- This product is designed to operate on a nominal supply voltage of 230 - 240V a.c. +/- 6%.
- Cable wiring of different voltage systems, such as Low Voltage and SELV cables, cannot share the same conduit.
- This product must be installed and used as per these instructions.
- This product utilises intellectual property in the form of registered designs, trademarks, and/or patents. Such intellectual property remains the property of 4Cabling in all cases.
- 4Cabling reserves the right to modify the specification of this product at any time.