

## Dual Arm Wall Mount Gas Spring TV Bracket

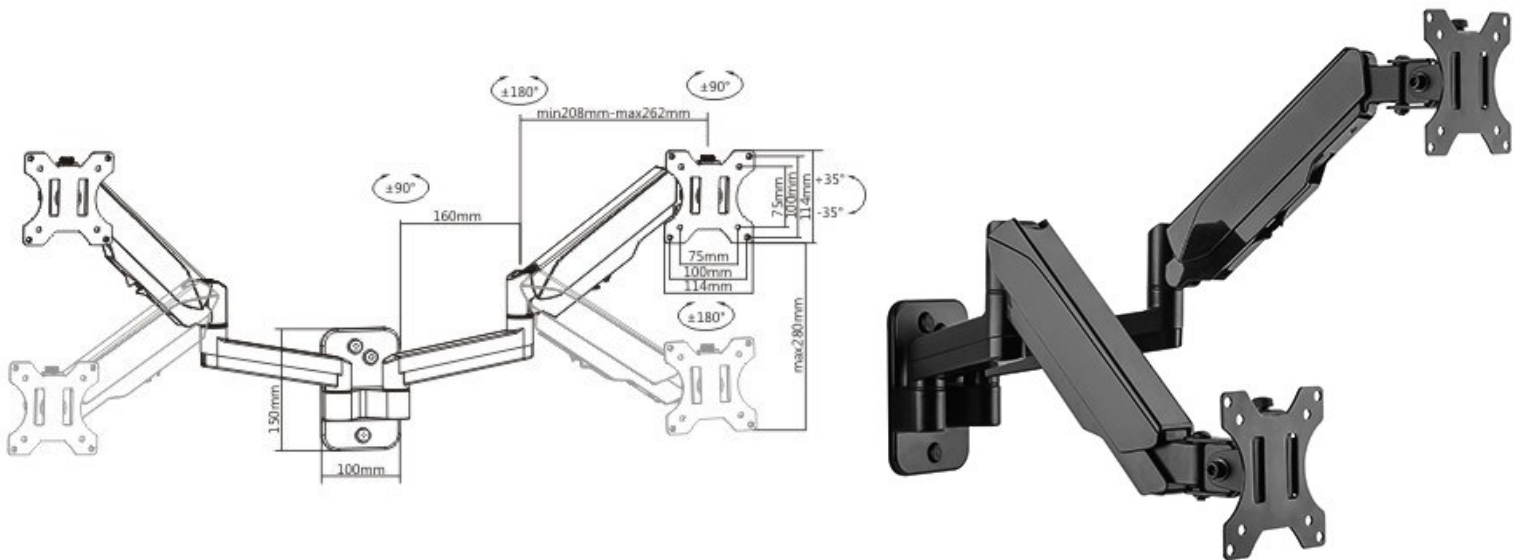
012.001.0037

Suitable for 17" - 32"

The 4Cabling Wall Mount Gas Spring TV Bracket. Designed to enhance your TV viewing experience, equipped with durable gas spring and built-in cable management the TV bracket is easy to maneuver to your desired angle and height. Build from sturdy material, each arm can withstand weight from 1-8kg or 17"-32" TV.

### Features:

- Fits most 17" to 32" flat panel LCD and LED screens when compliant with VESA specs
- Free-tilting design with forwarding or backward adjustment for better viewing and reduced glare
- Cable management keeps everything organised
- Gas spring arms for maximum viewing flexibility
- VESA: 75x75,100x100
- Maximum load capacity of 8kgs/ arm
- 3 Years Warranty



## 4Cabling TV Brackets & Stand Specifications

Part #	012.001.0037
Bracket Type	Wall Mount
Colour	Matte Black, Metallic Grey
Material	Steel, Plastic, Aluminum
Dimensions	100x1034x370mm
Fit Screen	17" to 32"
Curved TV	Yes
OLED TV	No
Weight Capacity	@8kg
Mounting Pattern	VESA
VESA Compatible	75x75, 100x100
Cable Management	Yes
Tilt Range	+35° to -35°
Swivel Range	+90° to -90°
Screen Rotation	+180° to -180°
Arm Full Extension	422mm
Warranty	3 Years

