

TV Bracket: Tiltable Wall Mount | Black

Part# 012.001.0004

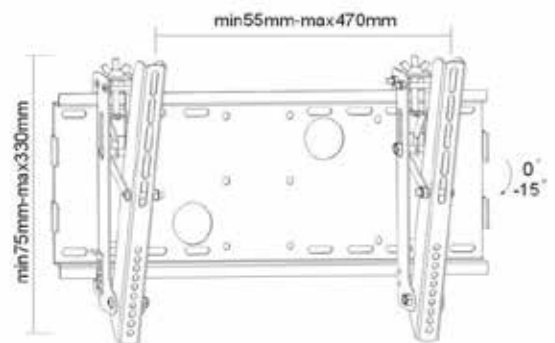
This is a medium size bracket with a 15° variable vertical downward tilt suitable for mounting LCD and LED Televisions . This unique design allows for mounting to brick, solid concrete and block walls as well as gyprock walls with allowances for Australian wall stud spacing.

FEATURES

- Fits Most: 32" - 55" Screens when compliant with VESA Mount below
- Tilt: -15°
- Max Load Capacity: 75kg
- Depth Profile TV to Wall: 80mm
- Colour: black
- To Suit VESA Mount : 100 x 100 | 200 x 100 | 200 x 200 | 300 x 300 | 400 x 200

SPECIFICATIONS

Function:	Tilting
Mounting Pattern:	Universal
Material:	Steel
Available Color:	Black
Open Position Size:	80X520x370mm (3.1"x20.5"x14.6")
Screen Size:	32"-55"
Installation:	Solid wall, Double Stud
Rated Load:	75kg
Strength tested:	3 times approved
Max.Hole Pattern:	470x330mm
VESA:	100x100,200x100,200x200,400x200,300x300
Tilt:	-15°~0°
Profile:	80mm (3.1")
Bubble Level:	No



For more information on these and other products, please contact our sales team on 1300 855 235 or sales@4cabling.com.au