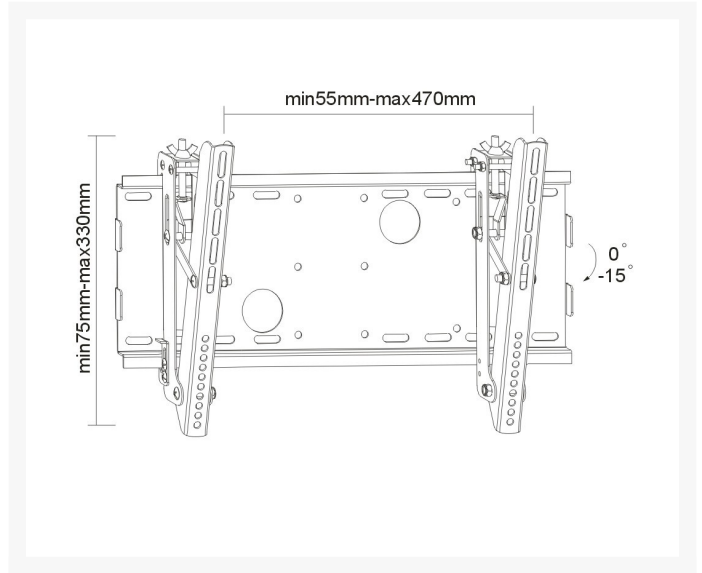
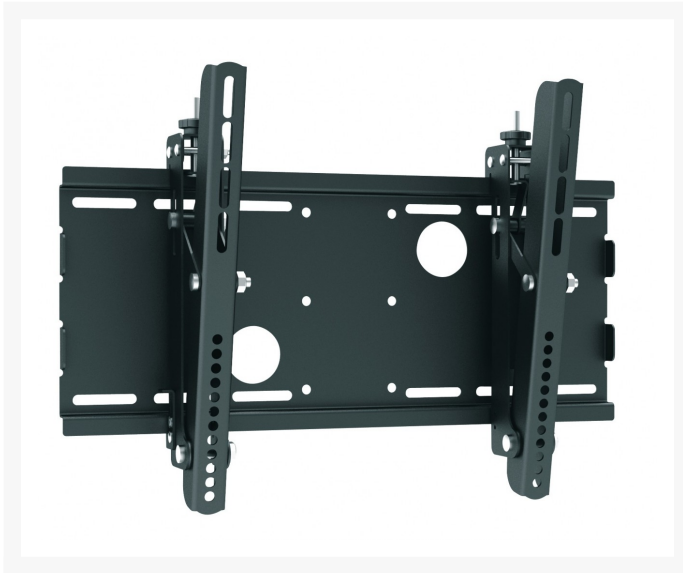




4Cabling Tilting Wall Mount TV Bracket to 32" to 55"

Product Images



Description

Classic Heavy-duty Tilting Wall Mount fits most 32"-55" LED, LCD flat panel TVs

Easy to use and install, this heavy duty wall mount bracket is designed to fit most 32"-55" Flat Panel TVs weighing up to 75kgs/165lbs. This unit mounts in a tilted position and tilts to a 15° down position the screen for an optimal viewing experience. Compatible with VESA hole up to 400x200.

Comes with all necessary wall mounting and screen attachment hardware

FEATURES

- Suitable for 32" - 55" Screens when compliant with VESA Mount below
- Tilt: -15°
- Max. Load Capacity: 75kg
- Depth Profile TV to Wall: 80mm
- Easy-grip knobs for quick tilt and lock
- Colour: black
- To Suit VESA Mount : 100 x 100 | 200 x 100 | 200 x 200 | 300 x 300 | 400 x 200

WARRANTY

3-year limited warranty.

WHY 4CABLING?

- Australia's leading importer & wholesaler of 19" server racks, copper, ethernet cable, fibre optic leads & structured networking products
- ISO 9001, NSW Govt. & GITC (QLD Govt.) approved supplier
- Secure online shopping 24/7
- A loyal customer base of 100k+ who trust us for their data & electrical needs
- Over 3000 quality products in stock ready to go
- All products are approved as per local Australian standards
- Warranty & peace of mind return policy
- Lightning fast delivery nationwide
- Expert advice
- Proudly 100% Australian owned & operated

Additional Information

| | |
|-----------------------|--|
| Product Name | 4Cabling Tilting Wall Mount TV Bracket to 32" to 55" |
| Part#: | 012.001.0004 |
| Weight (kg) | 4.505000 |
| Manufacturer | 4Cabling |
| Colour | Black |
| Bracket Type | Tilt |
| Suitable Monitor Size | Medium (32" to 55") |
| Supported Weight | Up to 75 kg |
| MAX VESA SIZE | 400 x 200mm |
| Features | Tilt Adjustable |
| Warranty | 3 Years |

